

## SunTek® Paint Protection - PPF C, PPF NC, PPF Matte Technical Data Sheet

SunTek PPF offers breakthrough technology for paint protection applications utilizing an advanced, self-healing, solvent resistant top-coat formulation allowing for easy installation as well as increased longevity. The product is backed by a 5-year warranty covering cracking, bubbling or yellowing and is available in 12", 18", 24", 30", 36", 48" and 60" widths.

### PAINT PROTECTION FILM - Features & Benefits

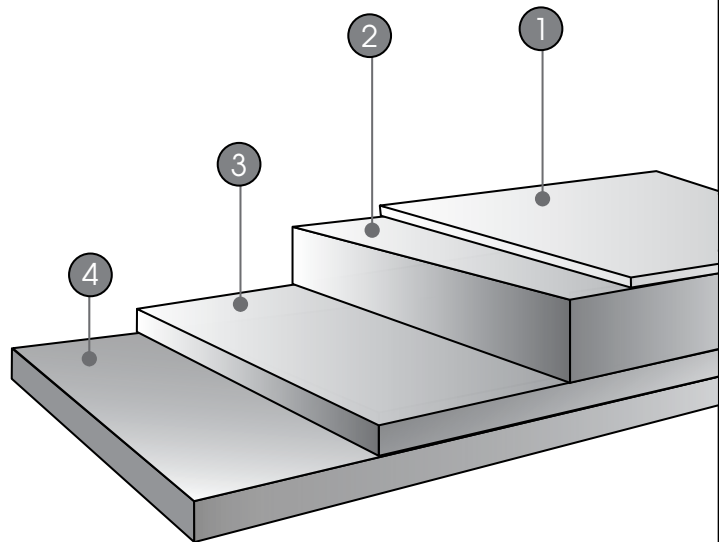
- > Provides invisible protection from damage caused by rocks, salt, insects, and other road debris
- > A proprietary, self healing top-coat that is scratch and crack resistant with a high-gloss finish
- > Transforms the appearance of traditional paint to a matte finish when using PPF Matte
- > Superior optical clarity
- > Five-year Manufacturer's Warranty

### PAINT PROTECTION FILM - Application & Storage

- > For detailed product information and installation videos of SunTek Paint Protection Films visit our website: [www.suntekfilms.com](http://www.suntekfilms.com)
- > Recommended installation environment temperature should be within 60°F to 90°F (15.5°C - 32°C)
- > Recommended installation solution (tack solution): (less than) 10% Isopropyl alcohol + 90% distilled water
- > Required product storage conditions of 60°F to 90°F

### PRODUCT CONSTRUCTION

- 1** **Top Coat - 0.5 mil**  
Flexible, self-healing polyurethane coating
- 2** **Urethane - 6 mil**  
Impact-resistant 6mil urethane formulated for excellent UV, heat and water resistance
- 3** **Adhesive**  
Self-crosslinking acrylic copolymer adhesive formulated for balanced tack, adhesive and cohesive properties.
- 4** **Liner - 3.5 mil**  
Matte, polyester release liner



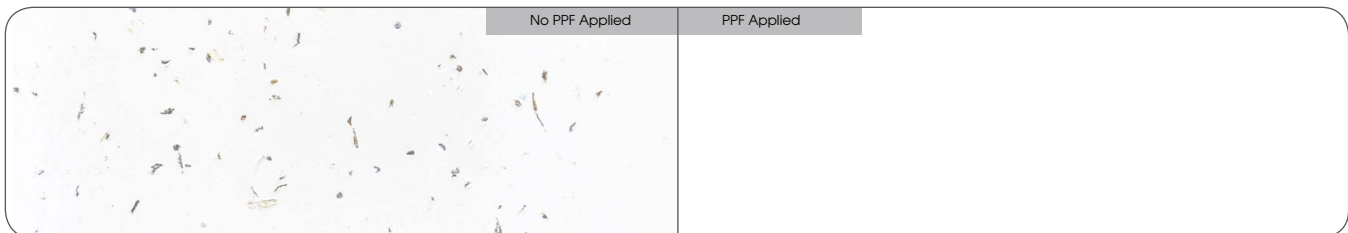
# SunTek® Paint Protection Technical Data Sheet

**PERFORMANCE PROPERTIES:** Performance tests are conducted using standard test procedures. SunTek® Paint Protection Film (PPF) meets or exceeds the minimum specification values shown below.

PAINT PROTECTION FILM (PPF C - TOP COATED   PPF M - MATTE)			
Product Thickness (Total)	8.0 mils	(203.2 microns)	
Thickness (Top Coat)	0.5 mils	(12.7 microns)	
Thickness (Base Film)	6.0 mils	(152.4 microns)	
Thickness (Adhesive)	1.5 mils	(38.1 microns)	
Thickness (Liner)	3.5 mils	(88.9 microns)	
Peel Adhesion	72 oz/in	(804 N/m)	ASTM D3330
Tensile Strength	5000 psi	(34.5 Mpa)	ASTM D638 - 10
Tear Strength	575 pli	(102.7 kg/cm)	ASTM D624 -00 (2007)
Elongation at Break	>400%		ASTM D638 - 10
Maximum Temperature	240 °F	(116 °C)	
Wear Resistance	Taber Abrasion Test	No Wear Through	
Chemical Resistance	Isopropyl Alcohol	No Detrimental Effect	
Chemical Resistance	Hexane / Toluene	No Detrimental Effect	
Weathering	QUV 2500h	No Detrimental Effect	
Heat Effect	70C 2500h	No Detrimental Effect	
Rock Chip Resistance	SAE J4000 Gravelometer	Pass	

PAINT PROTECTION FILM (PPF NC - NON-TOP COATED)			
Product Thickness (Total)	7.5 mils	(190.5 microns)	
Thickness (Base Film)	6.0 mils	(152.4 microns)	
Thickness (Adhesive)	1.5 mils	(38.1 microns)	
Thickness (Liner)	3.0 mils	(76.2 microns)	
Peel Adhesion	72 oz/in	(804 N/m)	ASTM D3330
Tensile Strength	5000 psi	(34.5 Mpa)	ASTM D638 - 10
Tear Strength	575 pli	(102.7 kg/cm)	ASTM D624 - 00 (2007)
Elongation at Break	>400%		ASTM D638 - 10
Maximum Temperature	240 °F	(116 °C)	
Wear Resistance	Taber Abrasion Test	No Wear Through	
Chemical Resistance	Isopropyl Alcohol	No Detrimental Effect	
Chemical Resistance	Hexane / Toluene	No Detrimental Effect	
Weathering	QUV 1000h	No Detrimental Effect	
Heat Effect	70C 1000h	No Detrimental Effect	
Rock Chip Resistance	SAE J4000 Gravelometer	Pass	

\*All statements, technical information and recommendations herein are based on test SunTek® believes are reliable. SunTek® does not warrant or guarantee the accuracy or completeness of this information.



\* Image represents gravel impact testing on surface with and without PPF installed